

Sawdust to Sequins

- and everything in-between -



DIY Entertainment Stand

Copyright © 2016 Sawdust to Sequins

Tools

Saw to cut boards to length

Drill

Pocket Hole Jig

Sander for finishing wood

Supplies

79 - 1 ¼" Pocket Hole Screws

Sandpaper

3/8" spade bit

12-3/8-in-16 x 3-in bolts

12-3/8-in-16 hex nuts

12-3/8-in x 7/8-in flat washers

Paint or stain

Safety Gear

Optional: Spray paint for bolts, washers, and hex nuts if they are not available in the color of your choice. If spraying, do this before assembling the table. Give the paint plenty of time to dry.

1 x 3 Boards

Cut List

| | | | |
|-----|-----|-----|-----|
| 48" | 48" | | |
| 48" | 48" | | |
| 48" | 48" | | |
| 48" | 48" | | |
| 48" | 48" | | |
| 48" | 48" | | |
| 48" | 48" | | |
| 48" | 48" | | |
| 48" | 48" | | |
| 48" | 48" | | |
| 24" | 24" | 24" | 24" |
| 24" | 24" | 24" | 24" |
| 20" | 20" | 20" | 20" |
| 20" | 20" | | |

1 x 2 Boards

| | | |
|-----|-----|--|
| 45" | 45" | |
| 45" | 45" | |

Pocket Hole Placement

1x3x48"

x = pocket hole

| | | | | | | |
|---|---|---|---|---|---|---|
| X | | X | | X | | X |
| | X | | X | | X | |
| X | | X | | X | | X |
| | X | | X | | X | |
| X | | X | | X | | X |
| | X | | X | | X | |
| X | | X | | X | | X |
| | X | | X | | X | |
| X | | X | | X | | X |
| | X | | X | | X | |
| X | | X | | X | | X |
| | X | | X | | X | |
| X | | X | | X | | X |
| | X | | X | | X | |

| | | |
|---|---|---|
| X | X | X |
| X | X | X |
| X | X | X |
| X | X | X |
| X | X | X |
| X | X | X |

| | | | | | | | | |
|---|--|--|--|--|--|--|--|---|
| X | | | | | | | | X |
| X | | | | | | | | X |
| X | | | | | | | | X |
| X | | | | | | | | X |
| X | | | | | | | | X |
| X | | | | | | | | X |
| X | | | | | | | | X |
| X | | | | | | | | X |

1x2x45"

1x3x20"

Step 1

Cut boards according to cut list.

Step 2

Drill pocket holes in boards as needed according to the guide above.

Step 3

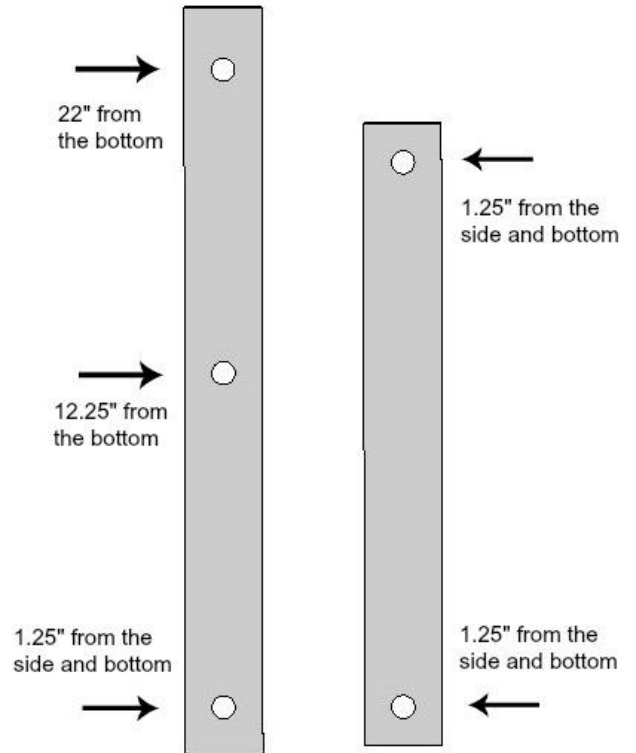
Drill holes with 3/8" spade bit in:

8 – 1x3x24" and

6 – 1x3x20" boards.

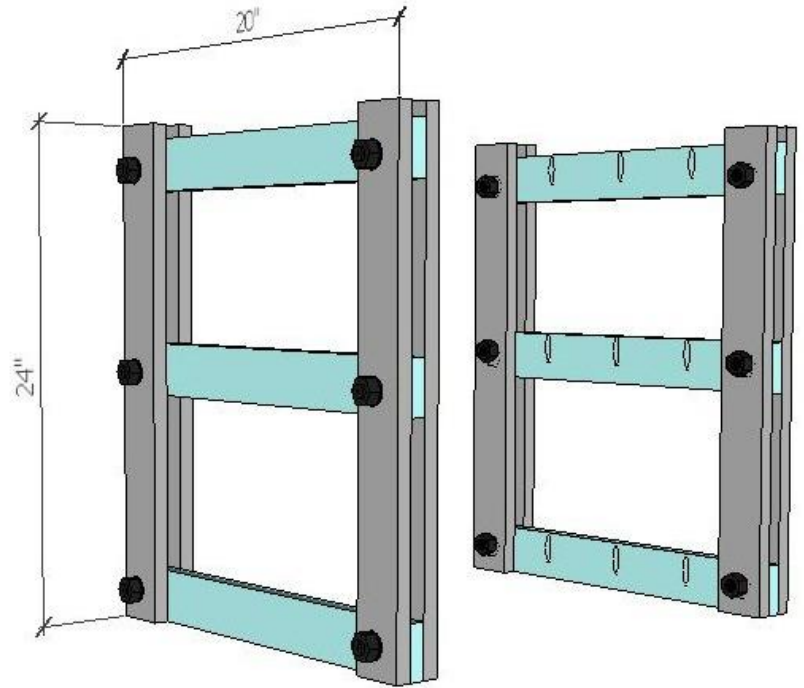
Step 4

Sand and stain your boards at this point. This will be difficult once assembly begins.



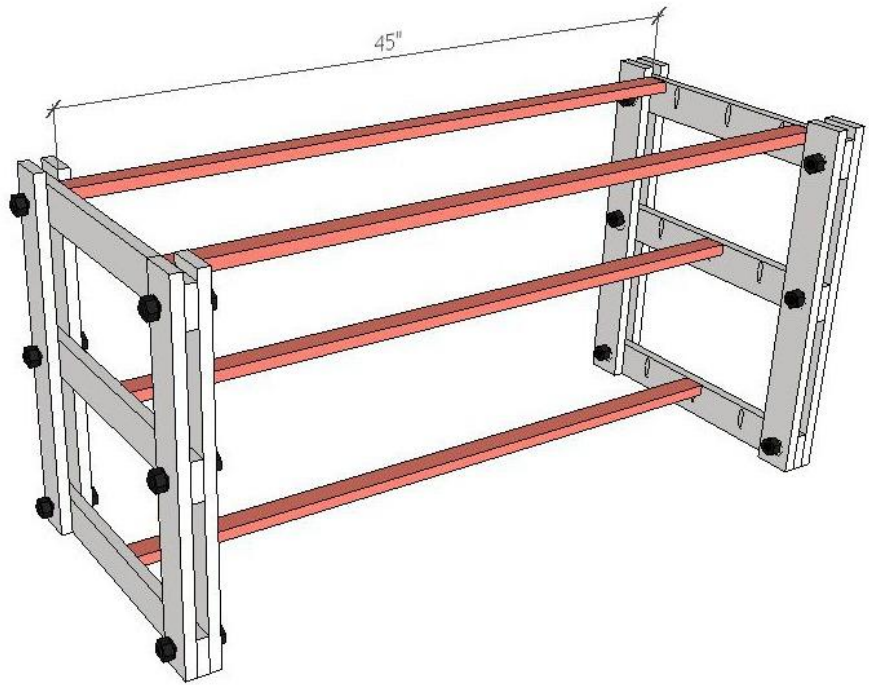
Step 5

Place 3 – 1x3 @ 20" between
3- 1x3 @ 24". Secure with a
bolt, washer, and hex nut.
The holes drilled with the
spade bit will be the
placement of the boards.
Tighten the nuts to ensure
the stability of the table.
Make two these.



Step 6

Connect the two legs
together
by attaching the 1x2x45"
boards
with pocket hole screws
as shown in the picture.



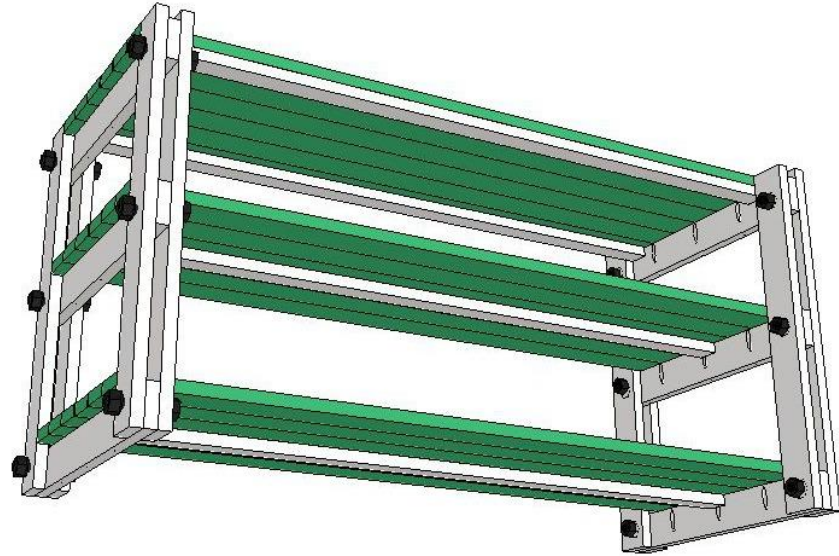
Step 7

Assemble the shelves with pocket hole screws. Each shelf consists of 6 1x3x48" boards. The last board on each shelf will not have pocket holes.

Assemble a total of three shelves.

Step 8

Attach the shelf units to the leg and supports with pocket hole screws. Start with the top shelf and work down. You will not have room to drill in the pocket hole screws if going from bottom to top.



*If some of your nuts and bolts have unpainted surfaces, spray paint on a foam or craft brush and wipe on. Allow adequate time to dry.

Have fun with this build and visit me @ [SawdusttoSequins.com](https://www.SawdusttoSequins.com) for more plans!!

Follow along on [Pinterest](https://www.Pinterest.com) and [Instagram](https://www.Instagram.com) for my latest projects and behind the scenes pics of my builds.